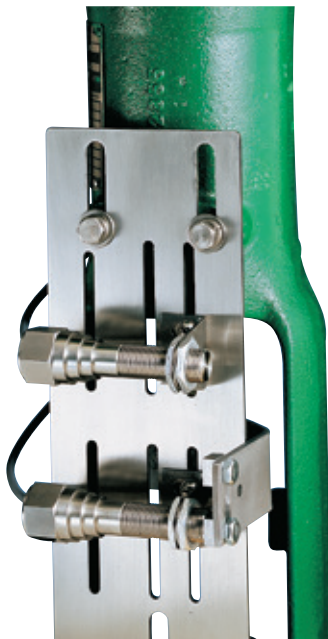


ACCUTRAK™ 316 SILVER BULLET EXPLOSIONPROOF LINEAR POSITION SWITCH - ATEX/IEC/NEC/INMETRO

A hermetically-sealed proximity switch in a stainless steel enclosure which is certified explosionproof. Double encapsulated in an epoxy resin and shock absorbent polymer



FEATURES

- 316 stainless steel construction
- Available with SPDT or DPDT switches
- Low temperature option to -50°C (-58°F)
- Standard 1.3 / 6 meters (4 / 20 feet) leads allows remote mounting if required
- Cable marked as appliance wiring material UL758
- Available with both Tungsten and Rhodium contacts
- Rhodium contact option for use with low power I/O's for longer contact life
- Highly resistant to shock and vibration stresses, chemical and environmental exposure
- Magnetic trigger bolt included

TECHNICAL DATA

Agency approvals

Area classification (ATEX/IEC)	Ex II 2 GD Ex d IIC T* Gb Ex tb IIIC T* Db IP6X
Area classification (NEC 500)	Class I, Division 1: Groups A,B,C and D Class II, Division 1: Groups E,F and G
Enclosure standards (IEC)	IP66/67 (with suitable glanding) IPx8 (with suitable glanding)
Switches	Magnum, SPDT hermetically sealed switches Magnum, DPDT hermetically sealed switches
Enclosure	Stainless steel

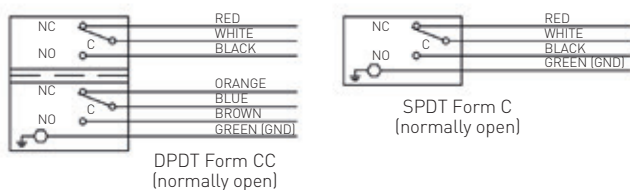
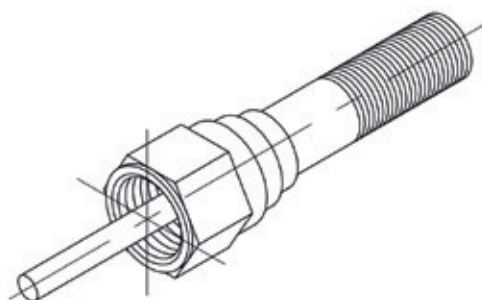
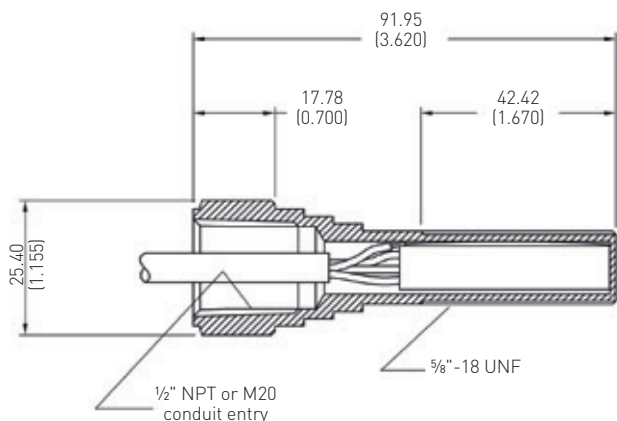
GENERAL APPLICATION

A hermetically sealed linear position switch, certified explosion proof and suitable for arduous industrial applications and environmental exposure.

ACCUTRAK™ 316 SILVER BULLET

EXPLOSIONPROOF LINEAR POSITION SWITCH - ATEX/IEC/NEC/INMETRO

DIMENSIONS



Dimensions in mm, imperial dimensions (inches) in parenthesis

TECHNICAL SPECIFICATIONS

Enclosure	316 stainless steel
Temperature range	
316SB	ATEX/IECEX/NEC certified temperature range: -20°C to +84°C (T5) and -20°C to +69°C (T6)
316LT	NEC certified temperature range: -50°C to +85°C [-58°F to +185°F]
Operating time	3.0 ms
Repeatability	0.13 mm (0.005 inch)
Hysteresis	0.76 mm (0.030 inch)
Hermetic seal	Glass (vacuum)
Sensing	2.54 mm (0.100 inch) end sensing
Electrical rating	
Tungsten	SPDT Form C (normally open) 3 A / 120 V AC 1.5 A / 240 V AC 2 A / 24 V DC
Rhodium	SPDT Form C (normally open) 1 A / 24 V DC 0.20 A / 120 V AC
Cable	
Wire diameter	18AWG
Jacket diameter SPDT switch	6.1 mm +/- 0.25 mm (0.239 inch +/- 0.010 inch)
Jacket diameter DPDT switch	9.1 mm +/- 0.25 mm (0.360 inch +/- 0.010 inch)
Appliance wiring material	UL758

MAINTENANCE

All Silver Bullets are bolted to heavy duty stainless steel brackets. Switch triggering is accomplished by stainless steel encapsulated ferromagnetic actuators. Eventually, as valve seats wear, a slight re-adjustment of position switches becomes necessary.

NOTES

See Hazardous area classification technical bulletin for further information on global standards.

ACCUTRAK™ 316 SILVER BULLET

SELECTION GUIDE

Base model

- 316SB Silver Bullet position switch
- 316LT Silver Bullet position switch - Low temperature unit

Switch design

- S Single pole double throw (SPDT)
- D Double pole double throw (DPDT)

Contact material

- T Tungsten
- R Rhodium
- G Gold plated (ATEX and IECEx only, LT option not available)
- 0 For hall effect

Conduit

- M M20 x 1.5
- N ½" -14 NPT

Length of flying lead

- XXX Flying lead length in feet
- 004 4 feet (1.33 metres)
- 020 20 feet (6 metres)

Special feature

- AAA Standard
- CIQ ½" -13 x ¾" Trigger bolt option
- CKA ¾" - 10 x 1" Trigger bolt
- DXC 5/16-18 x .750 Samarian Cobalt high temperature
- XXX Special variants

Certification

- A ATEX (Series 316SB only)
- U cULus
- I IEC Ex (Series 316SB only)
- M INMETRO (Series 316SB only)

Example code: 316SB-STM-020-AAA-A = 316 Silver Bullet, SPDT, tungsten contacts, M20 conduit, 20 ft flying lead and standard build, ATEX certified.